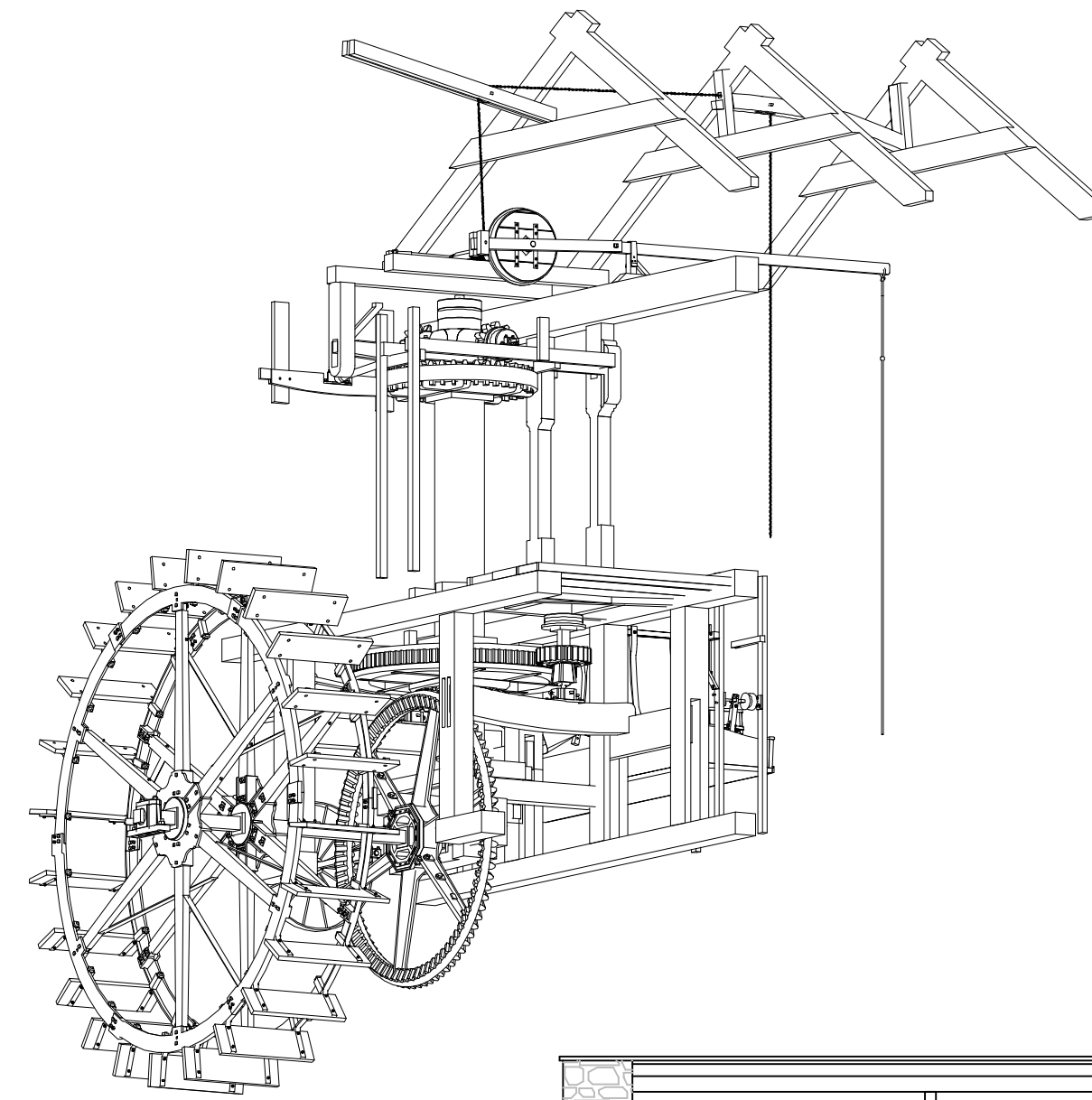
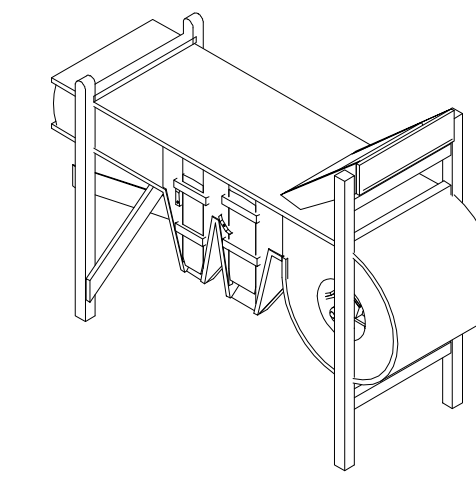


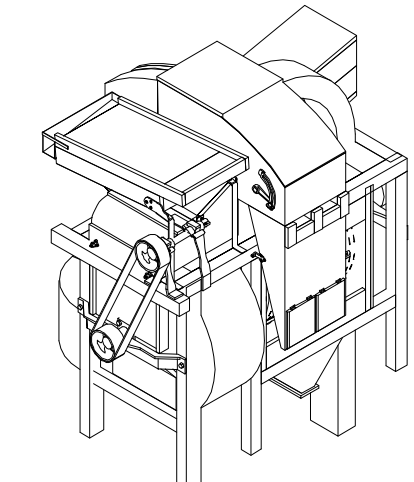
GROUND FLOOR PLAN



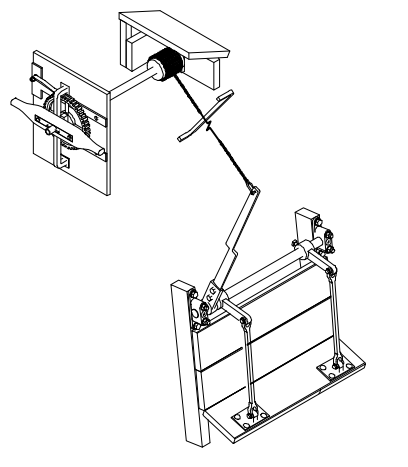
3D VIEW FROM BELOW



OAT WINNOWER



GRAIN CLEANER
model=EUREKA
mfr S.Howes, Silver
creek, New York

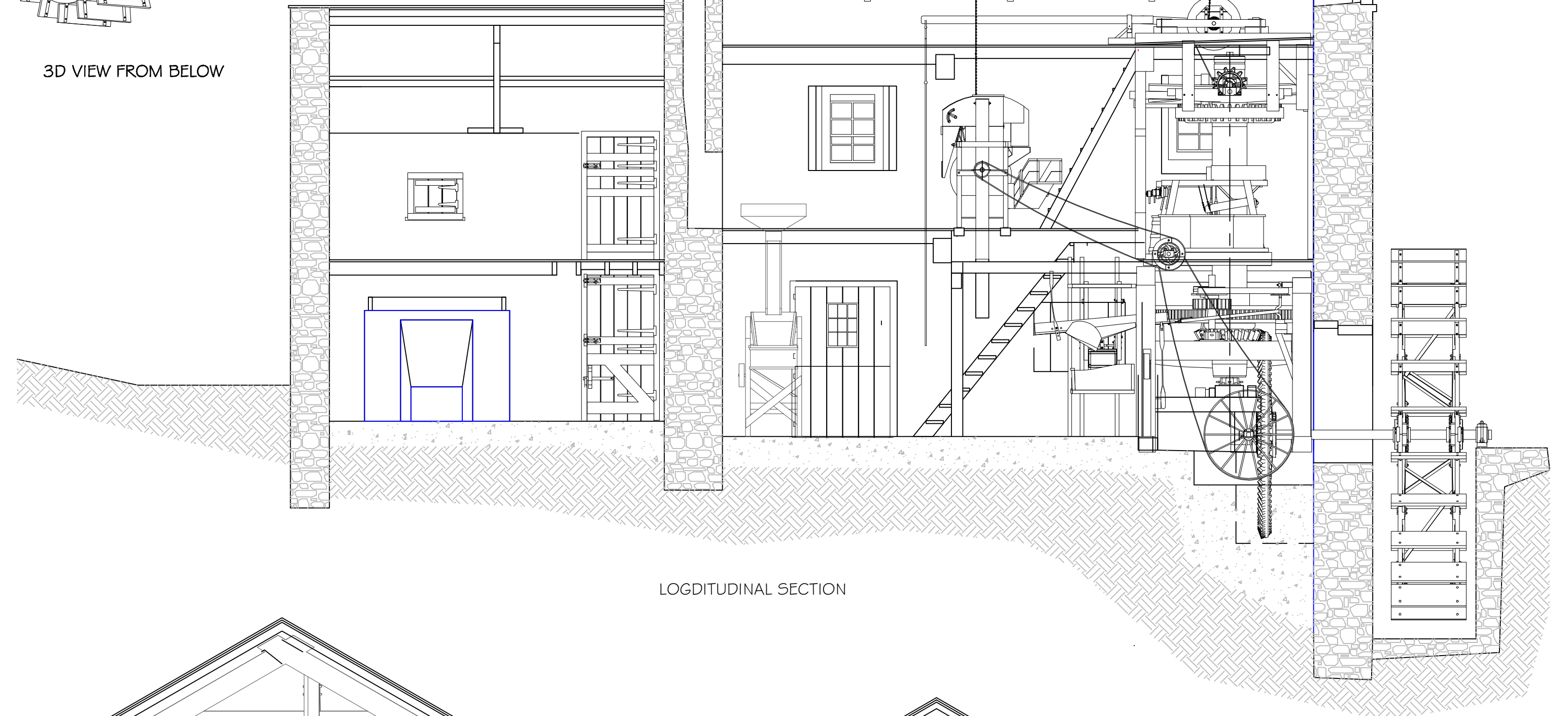


WHEEL FLOW CONTROL

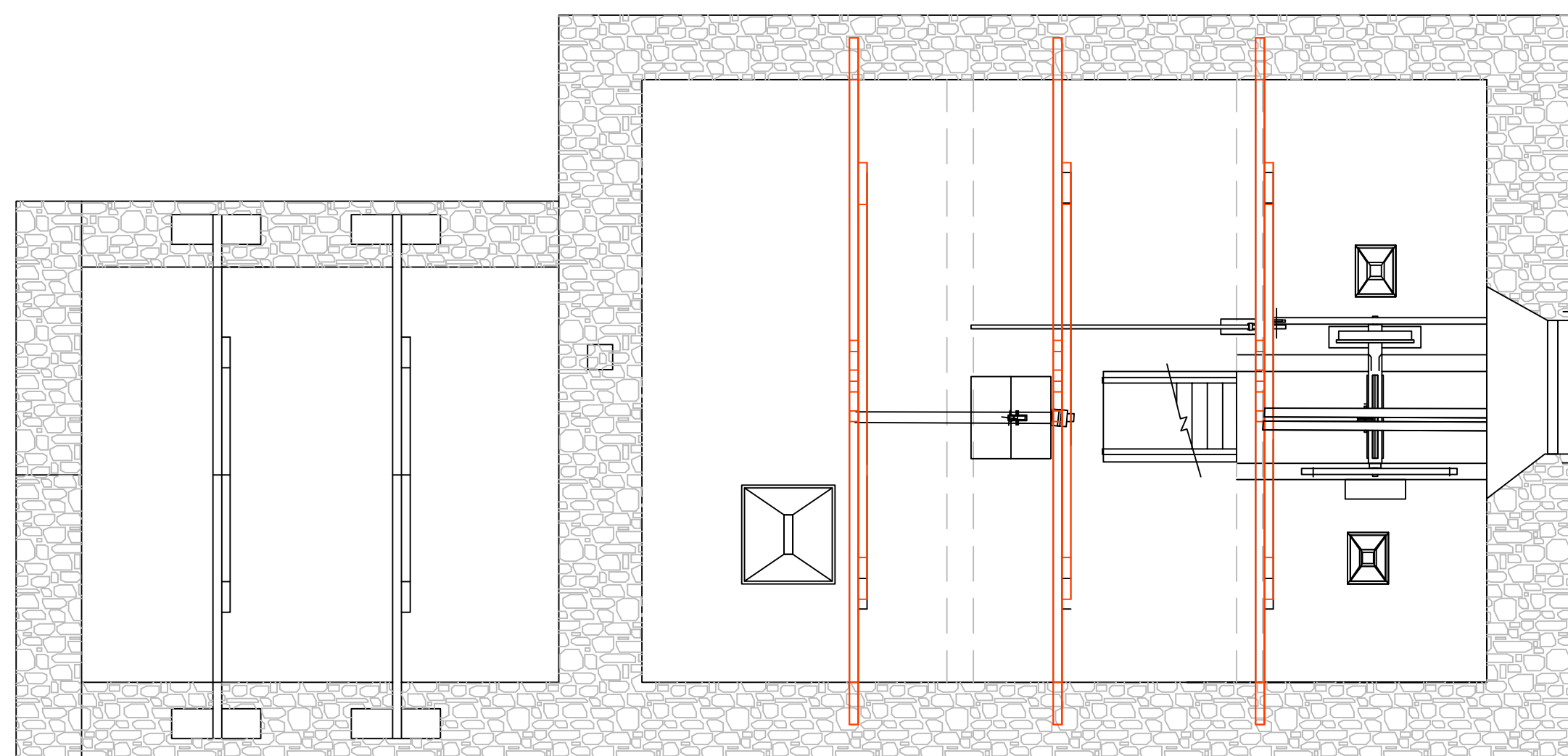


FIRST FLOOR PLAN

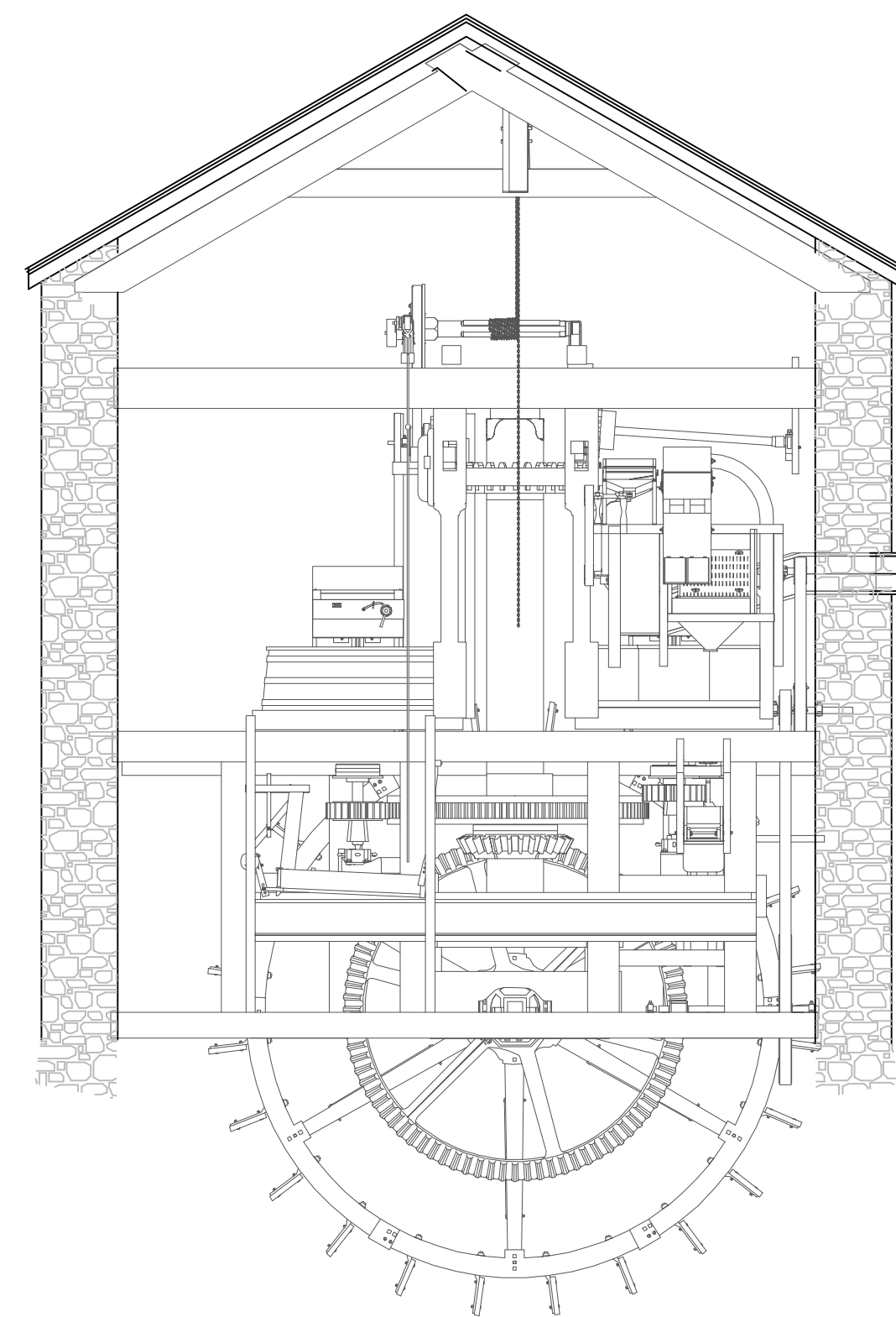
GRAIN CLEANER
EXHAUST



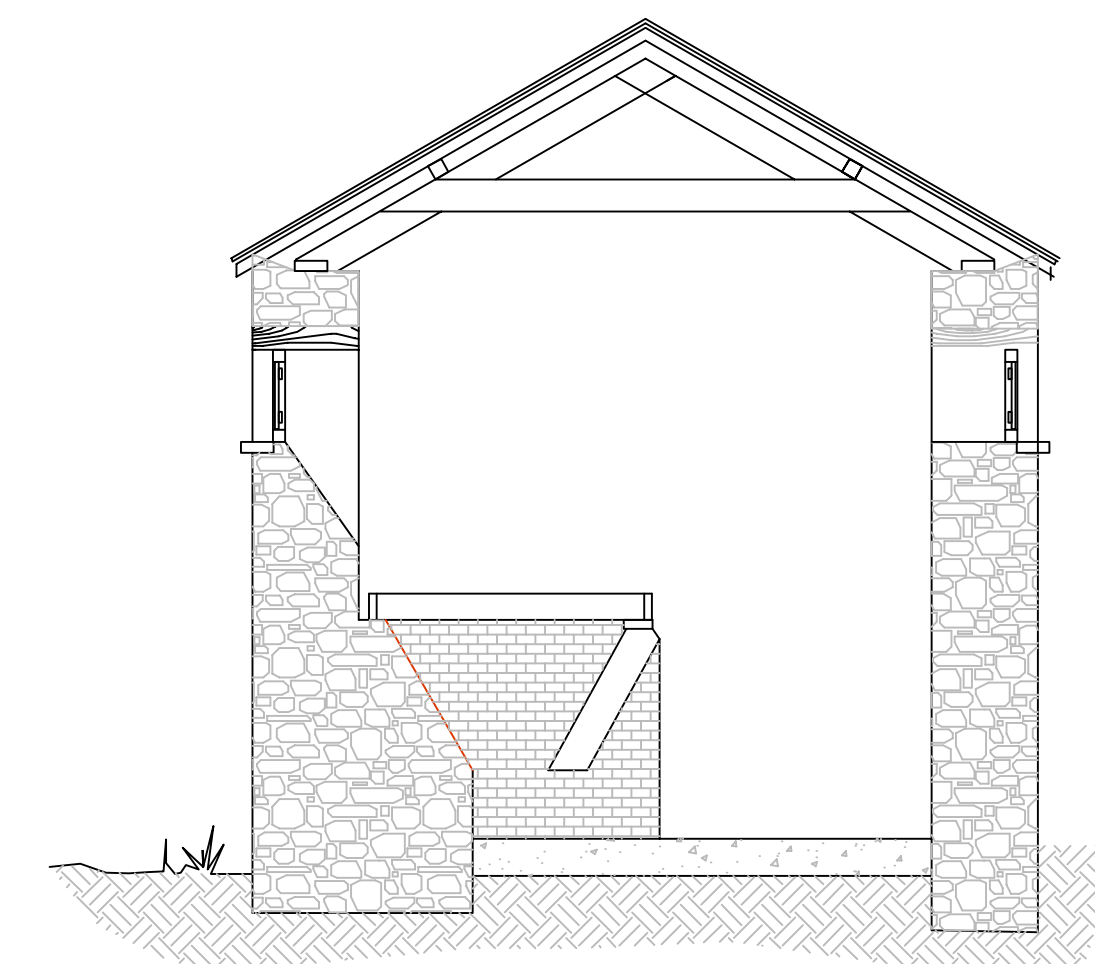
LOGDITUDINAL SECTION



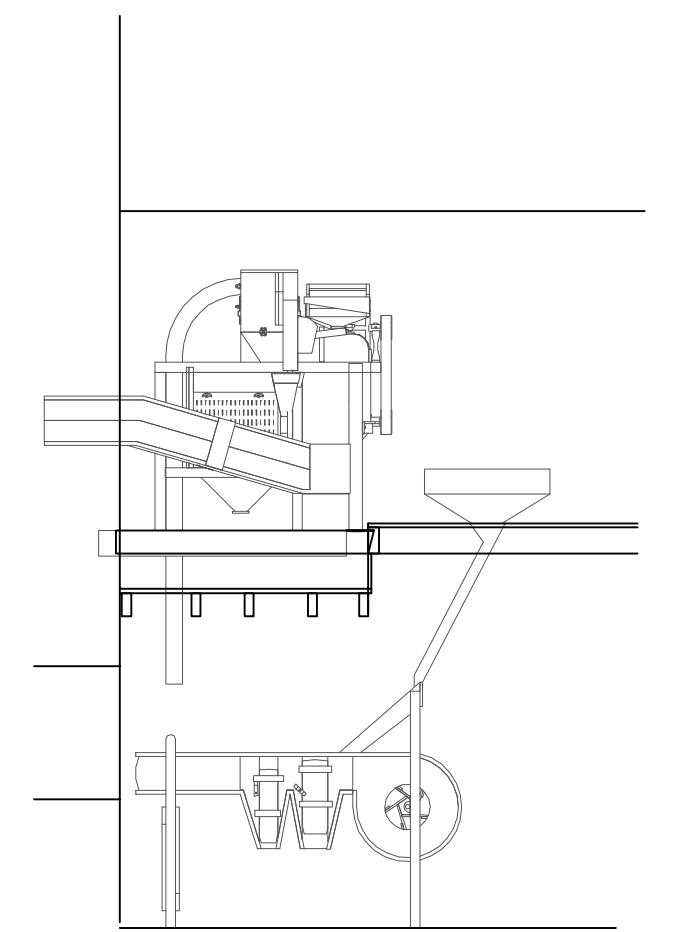
ATTIC PLAN



CROSS SECTION



SECTION THRO KILN ROOM



ELEVATION ON WINNOWER

				MILL CENARTH FLOUR MILL, Bwthyn Tyr Felin, Cenarth, Newcastle Emlyn, Dyfed SA38 9JL	
in conjunction with Cymdeithas Melinau Cymru ~Welsh Mills Society		Title GENERAL ARRANGEMENT		Mill Ref NPRN 24802	
Drawn John Brandrick	Date AUG 2011	Scale 3d NTS 2d-1-50@A1	Map Ref SN24SE Grid SN2700941575	Mill Ref NPRN 24802	Dwg No 24802-001