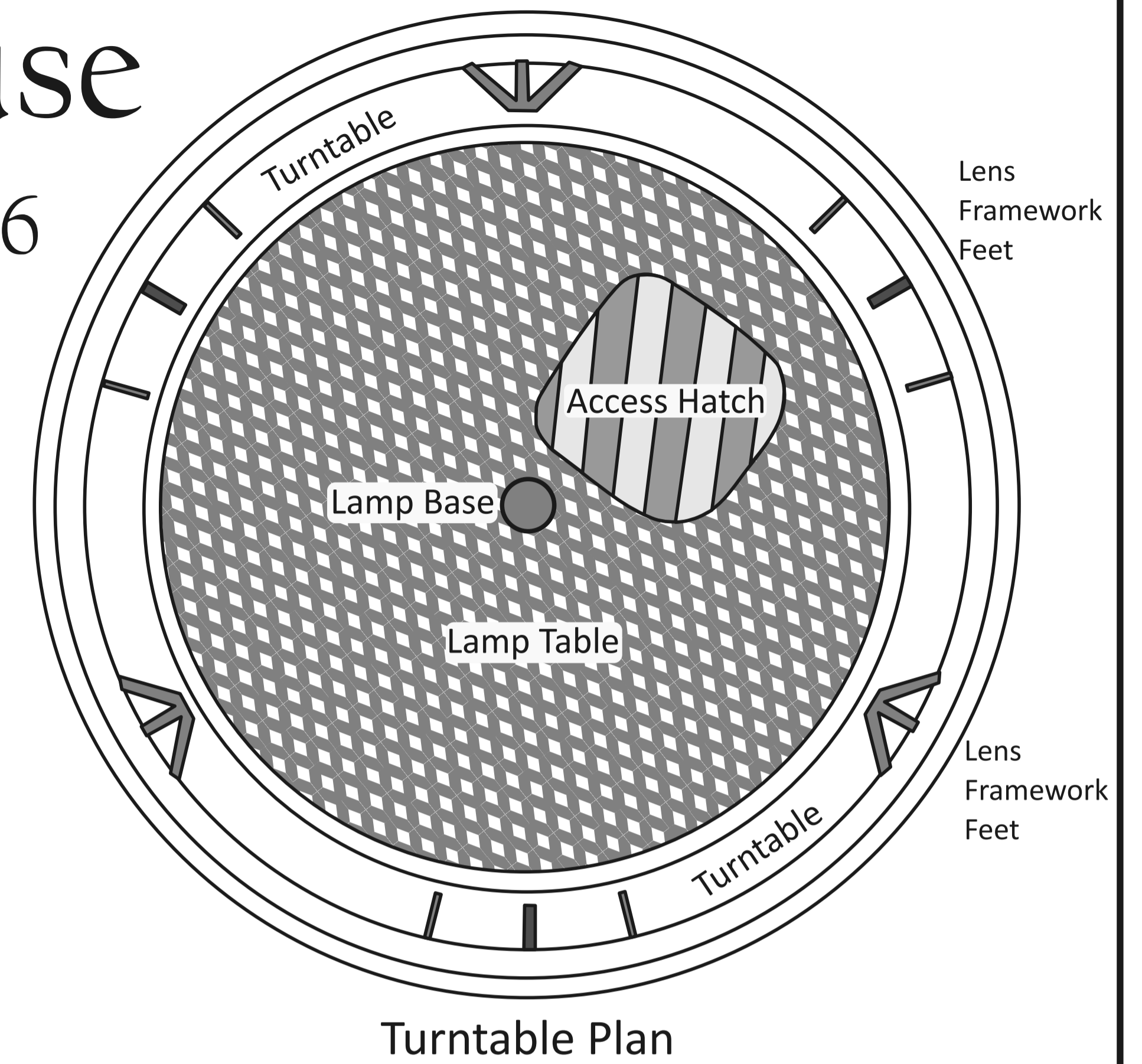
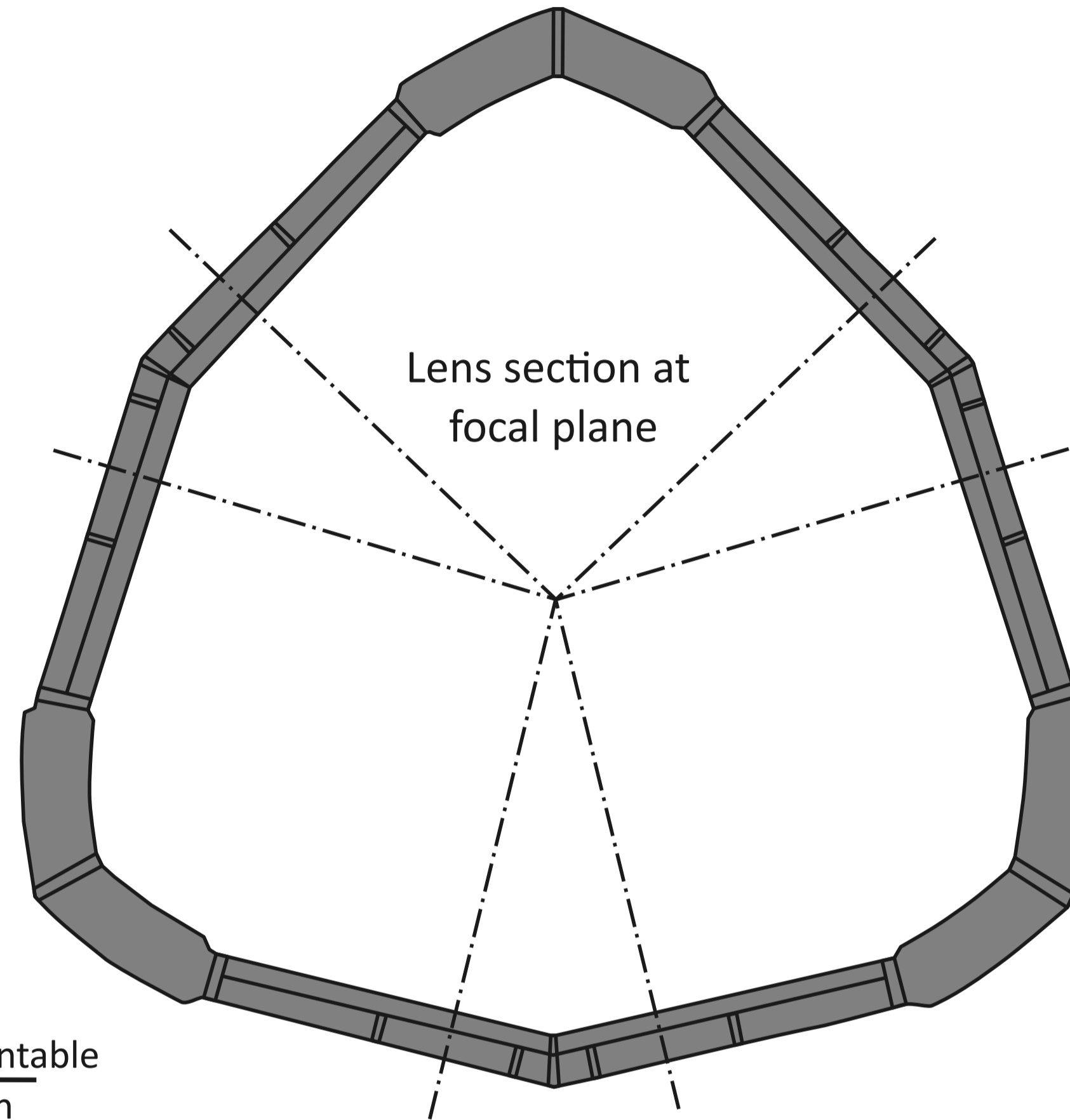
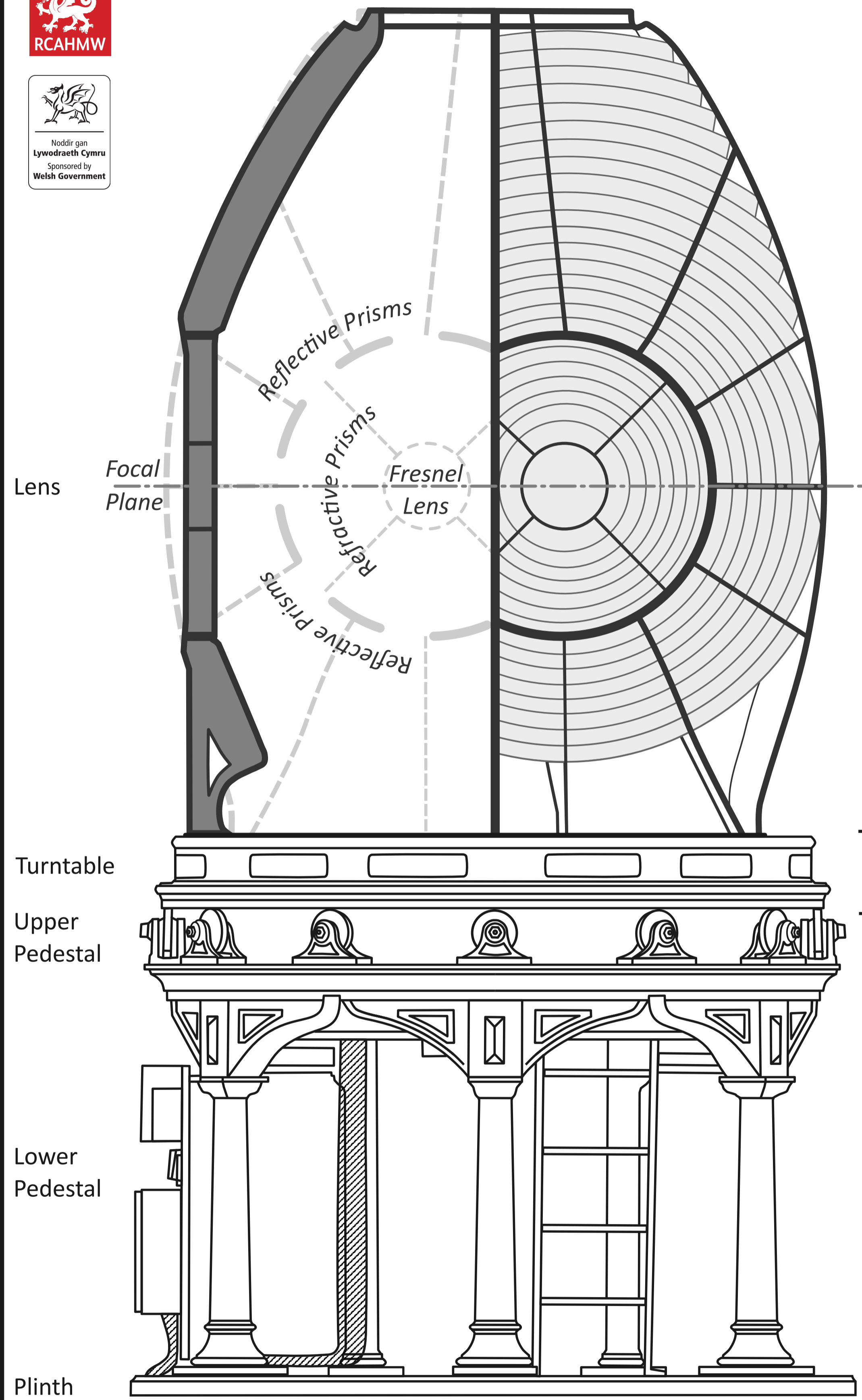




Skerries Lighthouse

NPRN 41287 | SH2677494766



Fresnel Lens and Pedestal

Survey Method: Measured and Photogrammetry

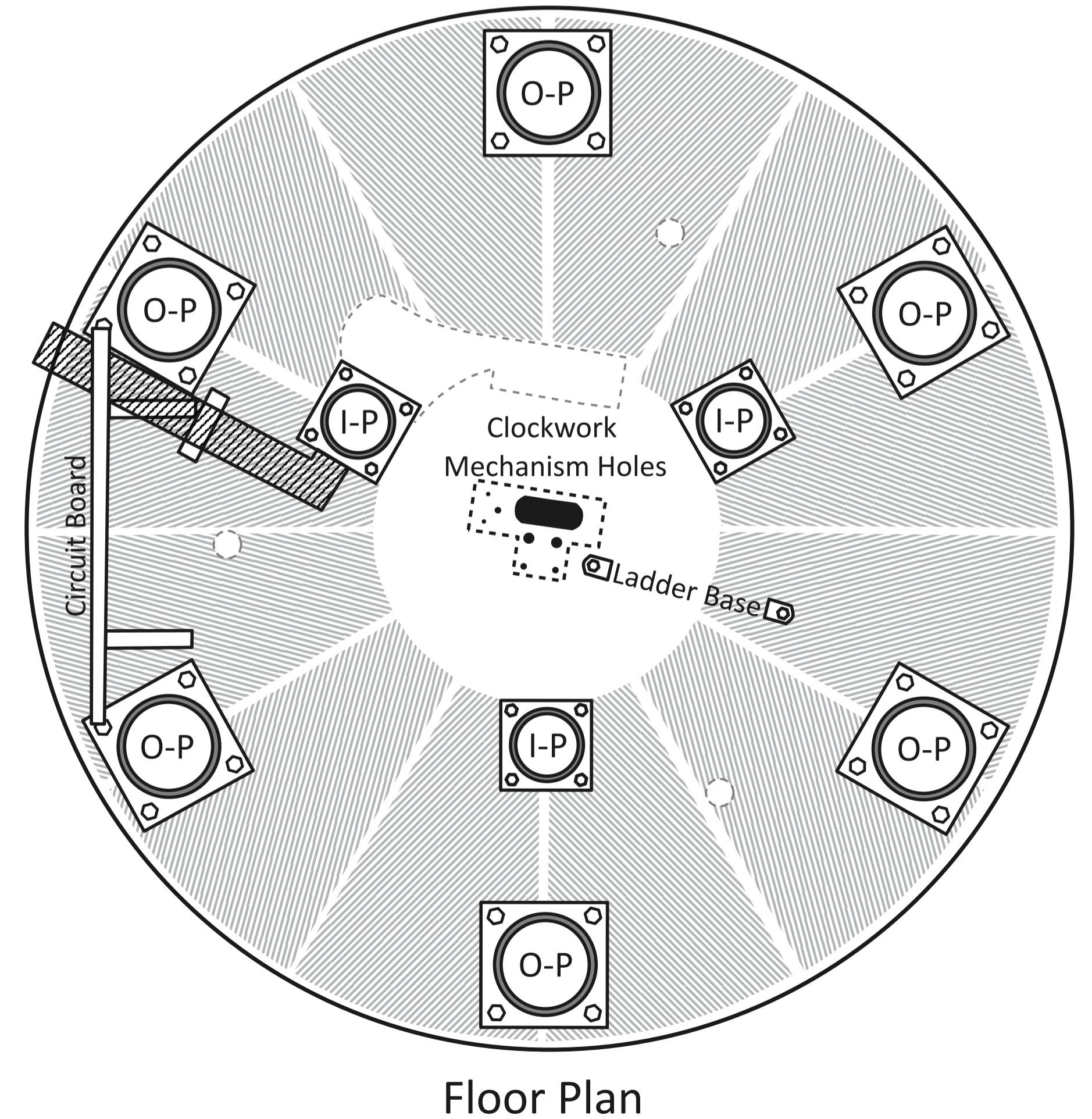
Print Scale: 1:10 at A1

Reference Drawings: Trinity House No. 8420 & 10304

2 metres



- Wiring
- Cross-section
- O-P = Outer Pillar
- I-P = Inner Pillar



Recording: Julian Whitewright (16/07/2024). Drawing: Julian Whitewright
 Crown Copyright: Royal Commission on the Ancient and Historical Monuments of Wales, 2024
 Hawlfraint y Goron: Comisiwn Henebion Brenhinol Cymru, 2024