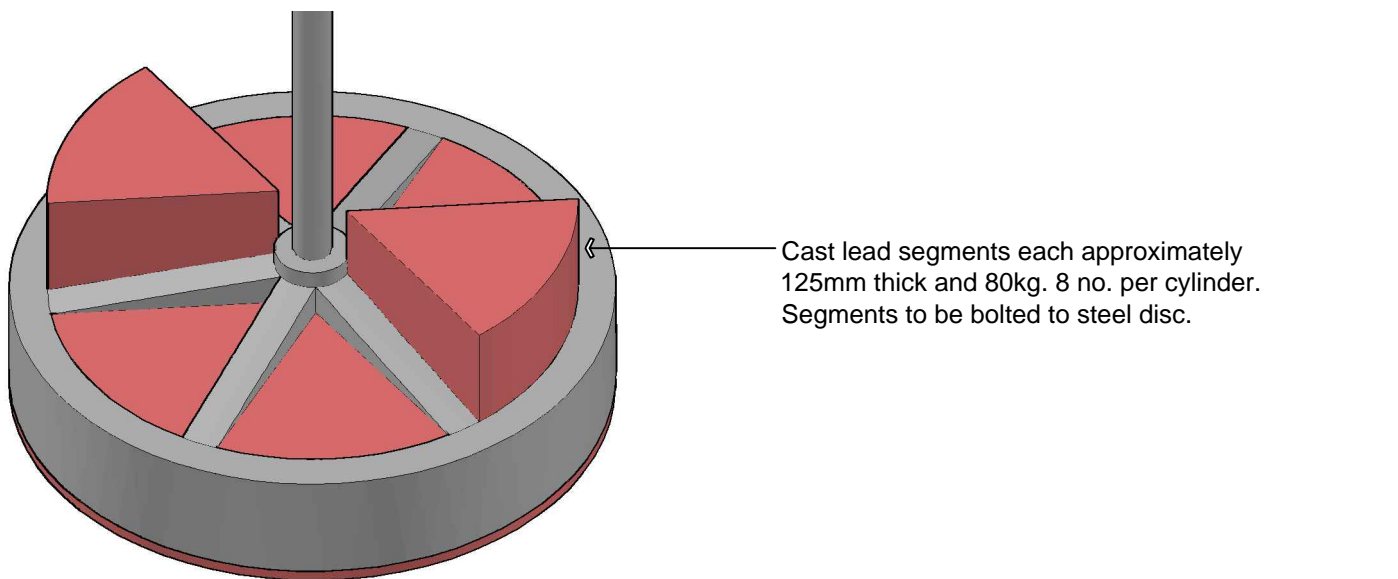





Exploded view



View as assembled

Record Drawing

Client		Project	
		Melingriffith Water Pump	
 		 Cardiff Office Unit 2 Fountain Court, Fountain Lane, St Mellons, Cardiff CF3 0FB + 44 (0)29 2077 7373	
Drawn	Designed	Approved	Revision Date
A Swan	P Evans		24/05/2011
Project No.	Scale	Drawing No.	Sheet No. Revision
V-C7783.00	1:10	CD-V-C7783.00	106 RAB

Sheet: Cast lead counter balance weights within pump cylinders

Original sheet size: A4 [210x297] Plot date: 25/05/2011 File path: G:\live\IC\7783 - Melingriffith Water Pump\05 - Documents\02 - Drawings\05 - Heritage\ID - Final Construction Issue\CD-V-C7783.00-106 Counter balance weights.dwg